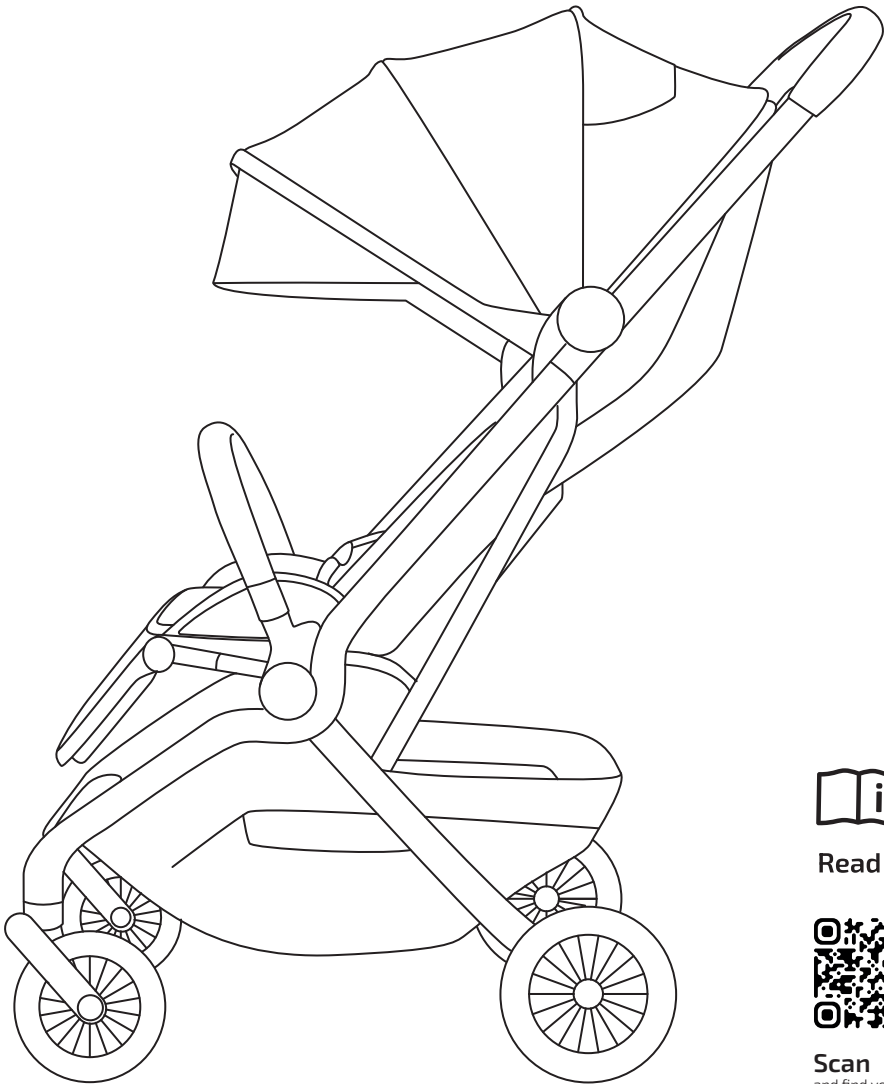


# Airby



Read














Scan  
and find your  
language











**IMPORTANT!**

READ CAREFULLY BEFORE USE AND KEEP FOR FUTURE REFERENCE.

**WARNINGS!**

-  Never leave the child unattended.
-  This seat is suitable for child from birth up to 22kg or 4 years whichever comes first
-  Always use the restraint system.
-  This product is not suitable for running or skating.
-  Ensure that all the locking devices are engaged before use.
-  To avoid injury, ensure that the child is kept away when unfolding or folding this product.
-  Do not let the child play with this product.
-  Check that the pram body or seat unit or car seat attachment devices are correctly engaged before use.
-  No additional mattress or inlay other than that supplied by the manufacturer should be used.
-  The parking device should be engaged when placing the child in or taking the child out.
-  The frame combined with the Avionaut Airby seat unit forms a stroller intended for one child who is from birth. Maximum child weight: up to 22kg or up to

4 years of age, whichever comes first.

-  The frame combined with a car seat (only when using adapters) is intended for one child from birth up to 13 kg (in accordance with the car seat instruction manual).
-  Take special care when adjusting the backrest.
-  Any load attached to the handle, backrest or sides of the stroller may affect its stability and balance. Maximum load: bag – 1.5 kg, shopping basket – 8 kg.
-  Do not lift the stroller using the seat safety bar, canopy or soft carrycot handles. These are not carrying handles.
-  The stroller seat unit is suitable for newborn. Use the dedicated carrycot.
-  Always use the parking device when you want to park.
-  Always remove the child before folding the stroller.
-  Do not carry the child in the stroller.



**Avionaut Airby stroller:** 0–22 kg or 0–48 months

**Shopping basket:** max 8 kg

**Intended for:** 1 child

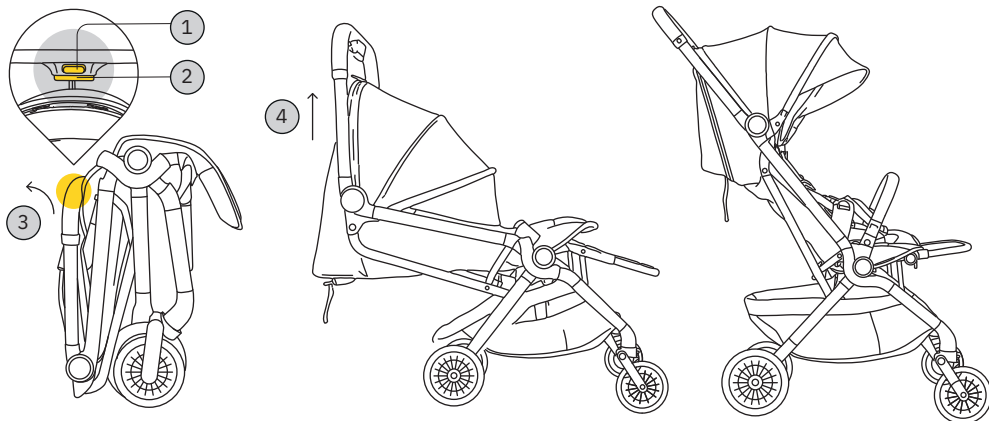
**WARNING:**

To use the stroller for a child under 6 months of age, use the dedicated soft carrycot NewbornNest Avionaut, after reading the detailed instruction manual included with the product.

- 1 HANDLE
- 2 FRAME RELEASE BUTTONS 2A/2B
- 3 CANOPY
- 4 HARNESS
- 5 SEAT
- 6 FOOTREST ADJUSTMENT BUTTON
- 7 REAR WHEELS

- 8 SHOPPING BASKET
- 9 FRONT SWIVEL WHEELS
- 10 BUMPER (SAFETY BAR)
- 11 BUCKLE OF THE FASTENING SYSTEM
- 12 SEAT FOOTREST
- 13 FRONT WHEELS RELEASE BUTTON
- 14 FOOTREST
- 15 CANOPY VENTILATION
- 16 CUP HOLDER MOUNT
- 17 REAR VENTILATION
- 18 CARRYING STRAP
- 19 BACKREST ADJUSTMENT STRAP
- 20 REAR WHEEL RELEASE BUTTON
- 21 FRONT WHEEL SWIVEL LOCK
- 22 PARKING DEVICE PEDAL

## Unfolding the stroller



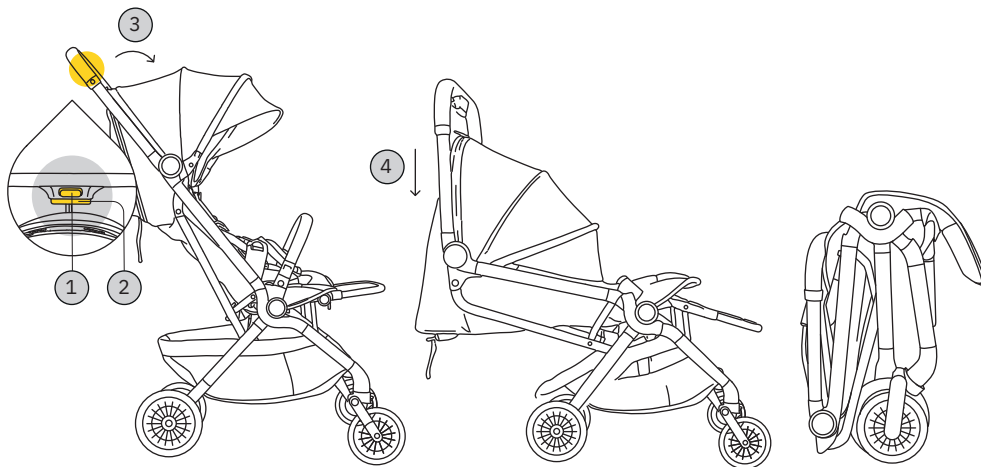
**Step 1:** Press release button 1.

**Step 2:** Press release button 2.

**Step 3:** Lift the frame upwards to the vertical position until the frame is fully locked in a stable position.

---

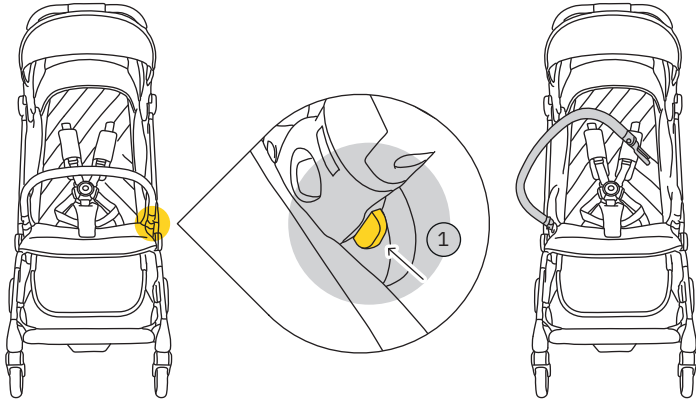
## Folding the stroller



**Step 1:** Press release button 1.

**Step 2:** Press release button 2.

**Step 3:** Gently lift the unlocked frame and fold it forward and down until the stroller is fully folded and locked in the folded position.

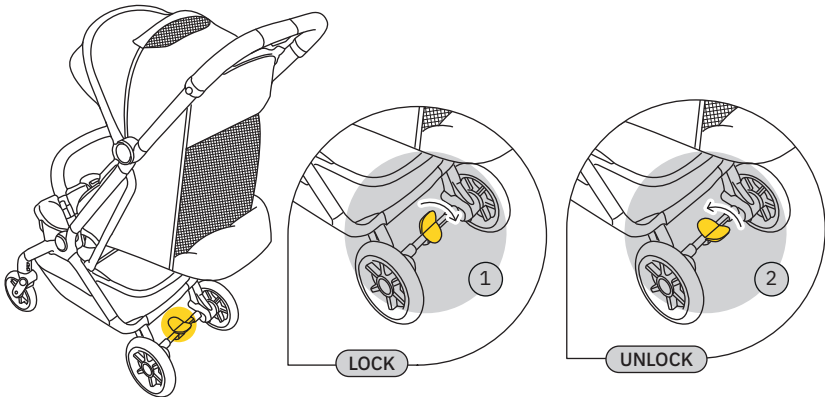


**Step 1:** Press the release buttons on both sides of the bumper bar.

**Step 2:** Remove the bumper bar.

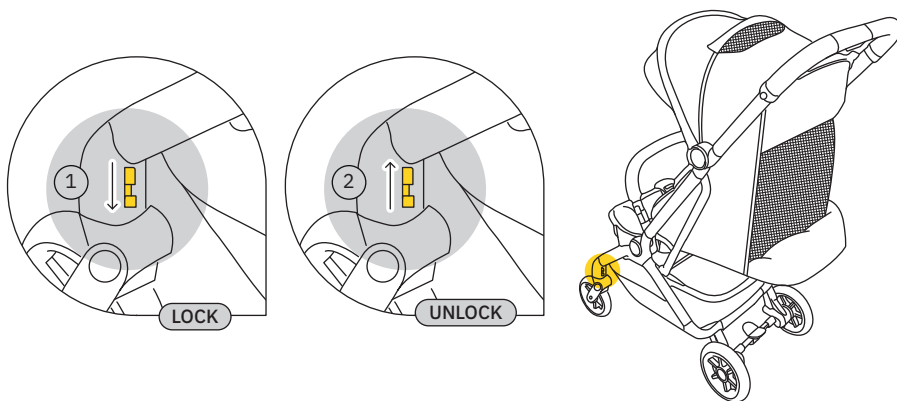
---

## Operation of the parking device



**Step 1:** Press the lower part – locked.

**Step 2:** Press the upper part – unlocked.

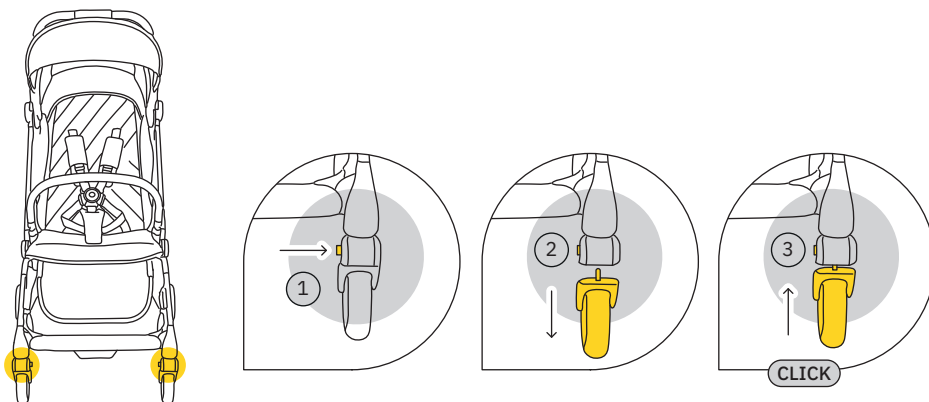


**Step 1:** Move the button down – wheels locked.

**Step 2:** Move the button up – wheels unlocked.

---

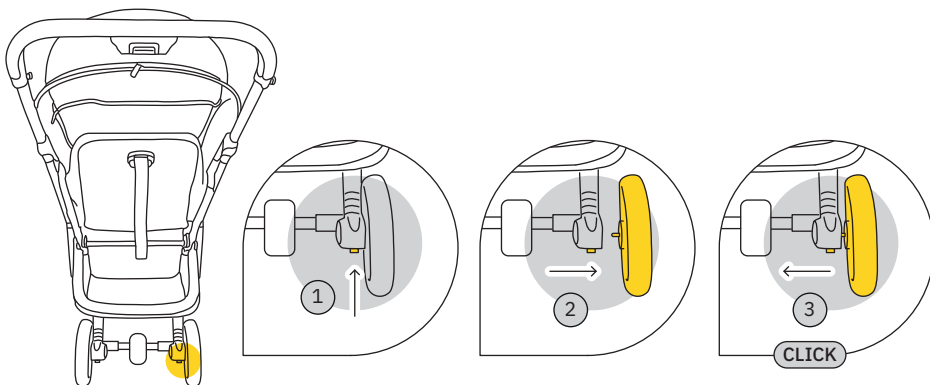
## Removing and attaching the front wheels



**Step 1:** Press the wheel release button.

**Step 2:** Remove the wheel together with the axle – wheel removed.

**Step 3:** To attach the wheel, insert the axle into the housing until it clicks. To check that the wheel is properly attached, pull the wheel along the axle – wheel attached.



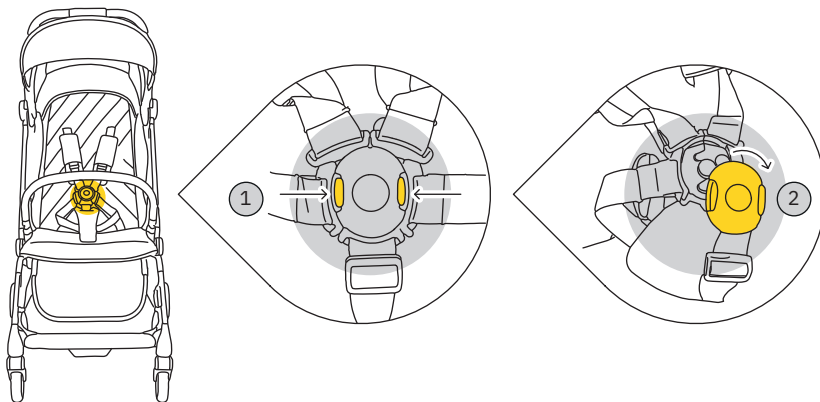
**Step 1:** Press the wheel release button.

**Step 2:** Remove the wheel – wheel removed.

**Step 3:** To attach the wheel, insert the axle into the housing until it clicks. To check that the wheel is properly attached, pull the wheel along the axle – wheel attached.

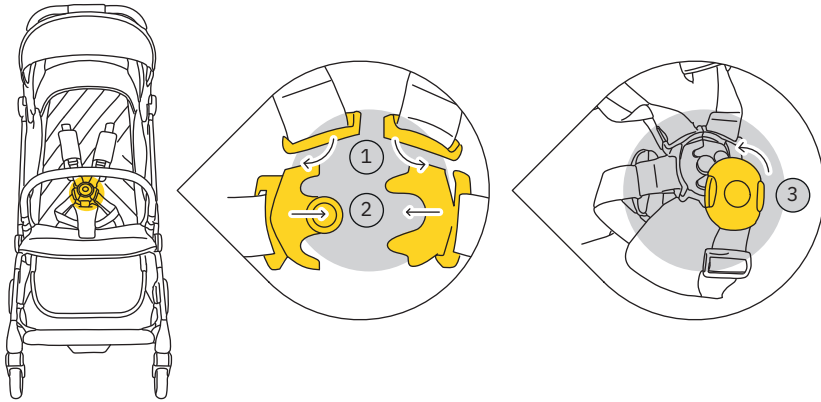
---

## Releasing the safety harness buckle



**Step 1:** Press the side buttons.

**Step 2:** Release the safety harness buckle.



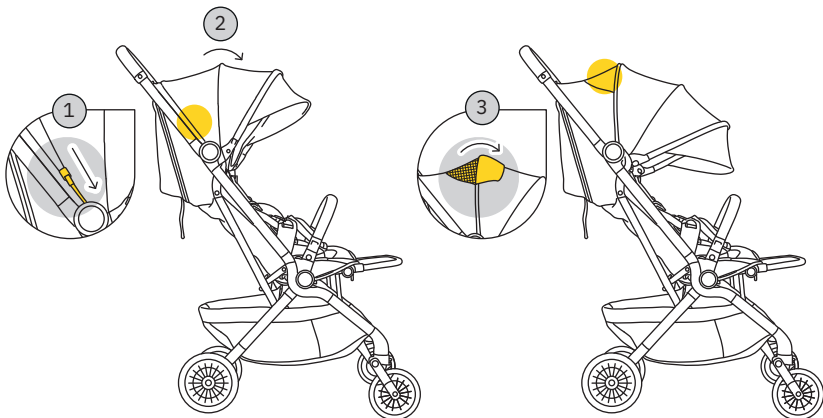
**Step 1:** Insert the upper strap buckle into the lower part of the harness buckle. Repeat on both sides.

**Step 2:** Connect the buckles.

**Step 3:** Secure all parts in the magnetic buckle.

---

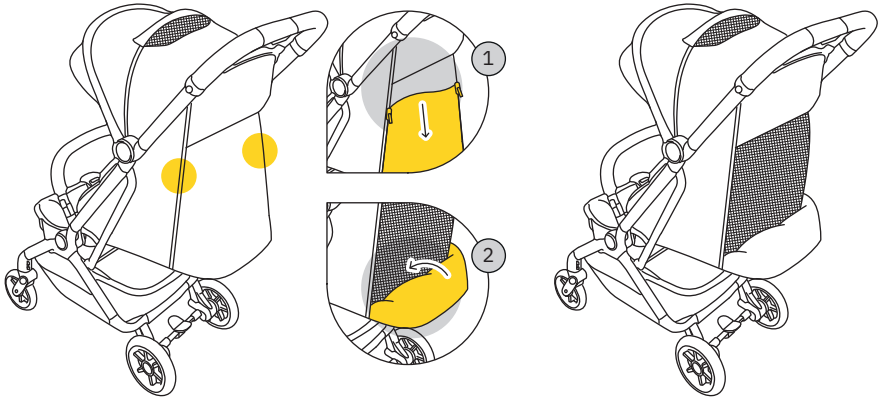
## Opening the canopy ventilation



**Step 1:** To open the canopy ventilation, unzip the additional panel.

**Step 2:** Extend the canopy.

**Step 3:** The ventilation window is located under the flap.

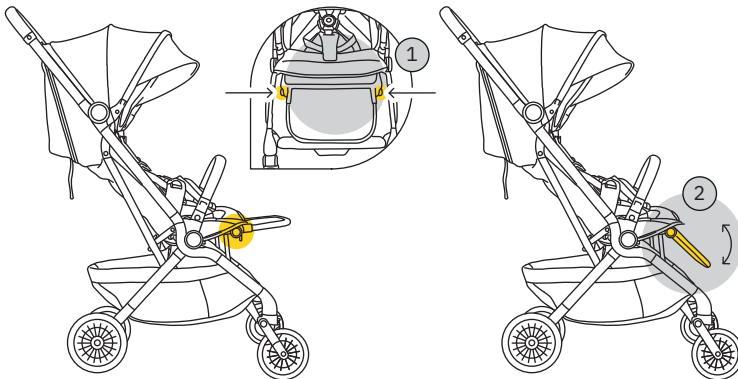


**Step 1:** Unzip the zippers at the ventilation window.

**Step 2:** Roll the fabric up and place it in the pocket at the bottom.

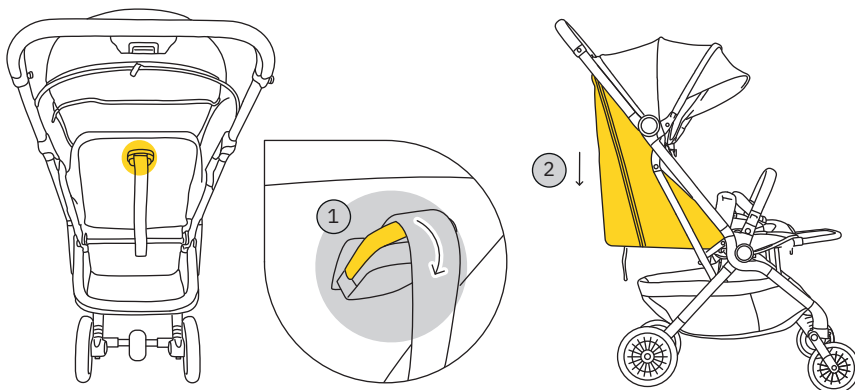
---

## Footrest adjustment



**Step 1:** Lowering the footrest – press both buttons on the footrest at the same time.

**Step 2:** Raising the footrest – lift the footrest upwards; no buttons need to be pressed.

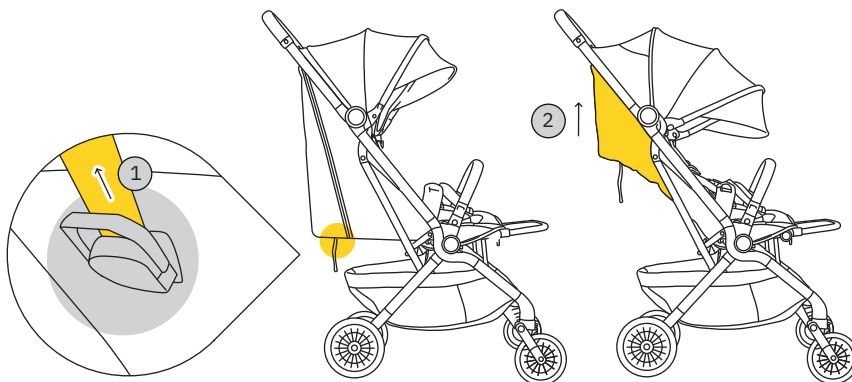


**Step 1:** Lower the backrest by pulling the adjustment buckle downwards.

**Step 2:** Set the backrest to the desired position.

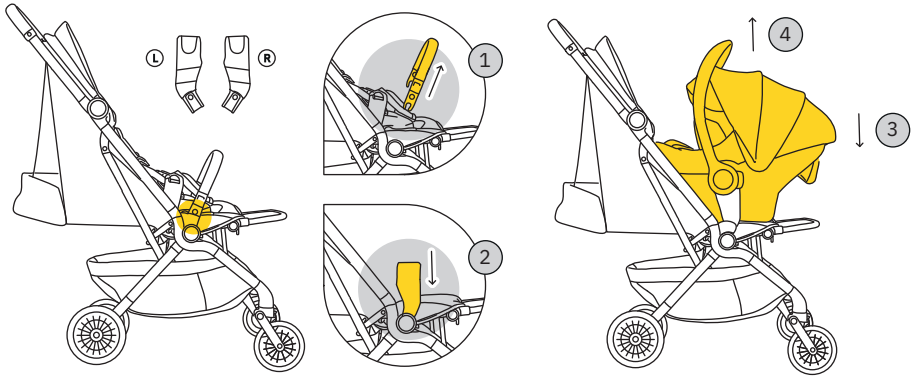
---

## Backrest adjustment - upright position



**Step 1:** Raise the backrest to the upright position by pulling the adjustment strap upwards to the desired position.

**Step 2:** Pull the strap until the seat reaches the desired position.



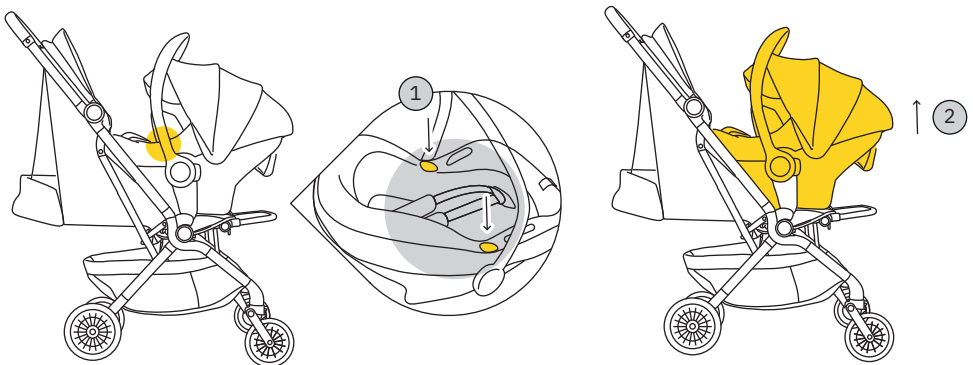
**Step 1:** Remove the seat bumper bar.

**Step 2:** Insert the car seat adapters into the bumper bar attachment points.

**Step 3:** Place the car seat rear-facing until it clicks into place.

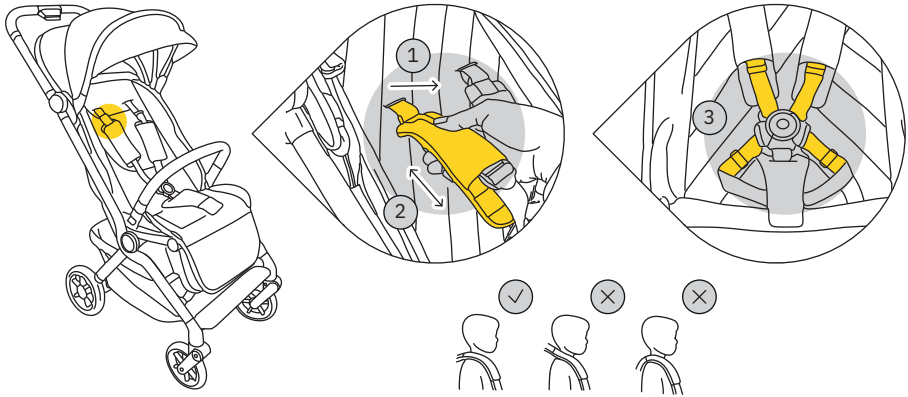
**Step 4:** Check that the car seat is properly installed by pulling the car seat handle upwards.

## Removing the car seat



**Step 1:** Press the release buttons on the car seat and pull it upwards at the same time.

**Step 2:** Remove the car seat adapters by pressing the button on the inner side of the adapter and pulling it upwards.



**Step 1:** To adjust the strap height, pull the strap into a position perpendicular to the backrest

**Step 2:** Set it to the appropriate height to fit the user's shoulders.

Check the fit – the straps should lie snugly against the shoulders without pressing or leaving gaps.

**Step 3:** Adjust the length of both the shoulder and lap straps (L + R) to ensure a snug yet comfortable fit.

### Safe use information

- Do not use the stroller if any part is damaged, worn or missing. Ensure that damaged or worn parts are repaired immediately. Contact an authorized service center to have the fault corrected.
- Use only spare parts and accessories supplied or recommended by the manufacturer/distributor. The use of accessories or spare parts not supplied by Avionaut is unsafe.
- Regularly check the product for signs of damage or wear.
- Do not modify this product. Any modification may compromise the child's safety. The manufacturer is not responsible for any product modifications.
- Ensure that the child's hands are kept away from areas where they may be trapped when the stroller or its parts are folded, unfolded, adjusted or changed.
- Do not stand or seat the child on the footrest. The footrest is intended only to support the legs and feet of one child. Any other use may result in serious injury. Maximum footrest load: 5 kg.
- Ensure the child is kept away from moving parts (e.g. wheels) to prevent injury.
- This product is not a toy. Do not allow the child to play with or climb on it. If the stroller falls onto the child, serious injury may occur.
- Before use, check that all zippers, fasteners and locking mechanisms are securely fastened. Avoid extreme use that may reduce control of the stroller and the child.
- Never use the stroller on stairs or escalators, especially with the child inside. This may endanger the child and damage the product.
- Never pull the stroller behind you when the front swivel wheels are unlocked. The stroller may turn suddenly and cause a safety hazard.
- Crossing railway or tram tracks may pose a particular risk as the wheels may become trapped. We recommend locking the swivel wheels. Proceed with caution.
- Do not use or store the stroller near open flames or heat sources such as heaters.
- Overheating poses a serious risk to the child's life. Check the child's temperature and clothing to ensure the child is neither too cold nor too warm.
- When transporting the stroller in a car trunk, ensure that the trunk lid does not press on the product, as this may cause damage.
- Small parts, such as axle caps, may pose a choking hazard during transport. Keep them out of the reach of children.
- Keep plastic packaging materials out of the reach of children to avoid the risk of suffocation or choking.
- This product must not be used as a medical device. If the child has special medical transport needs, consult a doctor.
- Do not leave any items in the seat unit or soft carrycot that may pose a suffocation risk, such as soft toys, pillows or small objects.
- The safety instructions in this manual do not cover all possible conditions and unforeseen situations. Common sense, caution and care are factors that cannot be built into the product and are the responsibility of the caregiver.
- The travel system chassis with car seat does not replace a carrycot or a crib. If the child needs to sleep, place the child in a carrycot or crib after outdoor use. Limit the time the child spends in the car seat to a minimum.
- Detailed information on car seat installation can be found in the car seat instruction manual.
- The Avionaut Airby frame allows installation of a car seat using dedicated adapters and a soft carrycot designed for this model.
- Do not use any additional accessories not specified by the manufacturer.
- Avoid extreme use that reduces control over the stroller and the child.
- The product should be regularly inspected for signs of wear or damage.
- Pay special attention to ensure that the child's legs are not close to the wheels, where they may be rubbed by rotating wheels.
- After unfolding the stroller, remember to check that the front and rear wheels are correctly installed. You can do this by attempting to release and pull off the wheels without pressing the buttons that are used to release the wheel locks.
- The child must not stand on the seat, as the stroller may lose stability and tip over. To improve stability and ensure safety, make sure the child is seated in the central part of the seat unit and carrycot. Always ensure the child is in a correct and safe position. When adjusting the position of the seat, ensure the child's hands and head are kept safe.
- To use the stroller for a child under 6 months of age, use the dedicated Avionaut NewbornNest soft carrycot (supplied separately), after carefully reading the detailed instruction manual provided with the product.
- Always use the most reclined backrest position for a newborn baby.

**Cleaning and Maintenance:****Avionaut Airby Stroller Upholstery**

1. The textile components are made of 100% polyester.
2. Please follow the instructions below:



3. Allow to dry at room temperature, away from direct heat sources and direct sunlight.
4. Failure to follow these instructions may result in damage to the materials and is not covered by the warranty.
5. Fabric components should preferably be cleaned using a soft, damp cloth only.
6. Clean the under-seat basket and organizer with a damp cloth.

**CHASSIS / FRAME – Avionaut Airby Stroller**

1. The chassis/frame can be cleaned with a soft cloth and warm water, then wiped dry with a clean, dry cloth.
2. Use a soft brush to remove sand and dirt from the mechanisms, frame and footrest.

**WHEELS – Avionaut Airby Stroller**

1. Use a soft brush and water to remove dirt from the wheels. From time to time, remove the wheels and clean the axles.
2. The tires may leave marks on some surfaces, such as parquet, linoleum or carpet. We recommend careful use on these and similar surfaces.
3. Check the condition of the wheels and the level of wear regularly.

**Additional information:**

1. Avoid excessive soaking of the stroller. If the stroller gets wet, dry it as soon as possible to prevent streaks and stains. We recommend using a full rain cover for the stroller when exposed to rain.
2. The stroller is not resistant to salt water.
3. Additionally, the stroller should be protected from prolonged exposure to direct sunlight. If changes in the appearance of the upholstery occur as a result of not following the above recommendations, such damage will not be covered by the warranty claim.

The stroller should be inspected and maintained regularly.

**Warranty**

- The Avionaut Airby stroller is covered by a 24-month warranty.
- We hereby declare that the product has been manufactured in accordance with current European safety and quality standards and that, at the time of purchase, the product is free from manufacturing and material defects. The product complies with all requirements of EN 1888-2:2018+A1:2022.
- The warranty is valid in the country of purchase and is provided by an authorized distributor. The warranty covers all manufacturing defects in materials and workmanship, provided that the product is used in accordance with the instruction manual, under normal conditions, by the first and final user, for a period of 24 months from the date of purchase. Avionaut assumes responsibility for the repair or replacement of the defective product.
- The warranty does not cover damage caused by normal daily use, such as fabric wear, natural color fading, deterioration of materials resulting from natural product aging, or mechanical damage to the wheels.
- The warranty also does not apply to product damage, accidental damage, abrasions or scratches, damage resulting from failure to follow the instruction manual, improper use, negligence, fire, contact with liquids, or other external causes. The guarantor decides on the method of remedy and the manner of handling the claim.
- At the time of submitting a warranty claim, the Avionaut stroller must have all labels and/or identification numbers intact and may only be serviced by an authorized person.
- The use of additional equipment not authorized by the manufacturer is not recommended. The manufacturer is not responsible for damage resulting from the use of non-standard components.
- The warranty is valid only if the product was purchased from an authorized seller or distributor and is accompanied by an original proof of purchase.

**Warranty Claims:**

- If the product was purchased directly from Avionaut, you may contact our customer service team via the form available at [www.avionaut.com](http://www.avionaut.com). If the product was purchased from one of our official retail points, please contact the seller first to submit a warranty

claim. When submitting a claim, proof of purchase must be presented and must be dated within 24 months prior to the service request.

- If it is necessary to send the product to a service center, the product should be returned to the distributor or seller. The method and cost of shipment must be agreed in advance. If no such agreement is made, the guarantor may refuse to cover the shipping costs.
- Damage and/or defects not covered by this warranty or by consumer rights, as well as defects not covered by the warranty, may be repaired for an agreed fee.

#### **Consumer Rights**

- The consumer is entitled to rights under applicable legislation, which may vary depending on the country. This warranty does not affect the consumer's statutory rights under applicable national law.

Company address:

Ł.KARWALA  
Szarlejka,  
Łukaszewicza Street 172  
42-130 Wręczyca Wielka, Poland

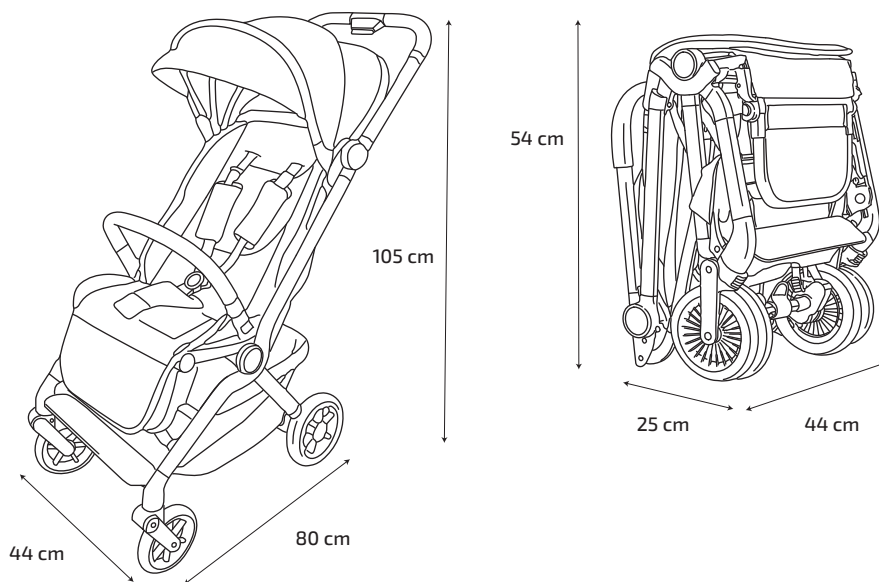
- This warranty has been prepared by Ł. Karwala, registered in Poland.
- Products purchased with removed labels or identification numbers are considered unauthorized. As the authenticity of such products cannot be verified, they are not covered by the warranty.
- If you decide to purchase a second-hand stroller, choose one with a known usage history.

#### **Environment:**

- Keep plastic packaging materials out of the reach of children to avoid the risk of suffocation or choking.
- For environmental protection, after the end of the stroller's service life, please dispose of it at an appropriate waste management facility in accordance with local regulations.

#### **Questions:**

- If you have any questions, please contact your retailer or authorized distributor.



**EN:** This product has been designed to fit within the standard cabin baggage size limits applied by many airlines and recommended by the International Air Transport Association (IATA). The ability to bring the stroller on board the aircraft depends on the individual policies of the airline and the availability of space in the cabin. The manufacturer recommends checking the requirements of the selected airline before travel.

# GUARANTEE CARD

NO	START DATE OF	RANGE OF REPAIR	DATE OF COMPLETION	SIGN

---

SELLING DATE

---

SHOP STAMP

**ADRESS:**

Ł. KARWAŁA Sp. k.  
Szarlejka, ul. Łukaszewicza 172,  
42-130 Wręczyca Wielka,  
Poland

Phone: +48 34 317 66 10  
E-mail: [avionaut@avionaut.com](mailto:avionaut@avionaut.com)  
[www.avionaut.com](http://www.avionaut.com)